

XIAMEN YOUME ELECTRIC CO.,LTD

Room 112,ChangJiang Business Center 1/F,No.270 ChangHao Road,Xiamen,China

Tel:86-592-5612511 Fax:86-592-5626361

E-mail:sales@singflo.com



FLO Small Water Pressure Pump

Specifications

Motor

Type:12V/24V DC, Permanent magnet,totally enclosed,non-ventilated

Leads:16 AWG

Duty cycle: Work intermittent

Pump

Type:2-chamber positive displacement

Liquid Temperature:140°F(60°C)Maximum

Priming Capabilities:3feet(0.9m)suction lift

Pump able to run dry without damage

CHECK VALVE: (1-Way Operation) Prevents Reverse

Material of Contruction

Motor Housing: PA66

Pump Housing: Polypropylene

Valves: Viton or EPDM

Diaphragm: Santoprene

Ports Size: 3/8" Hose Barb

Weight &Size

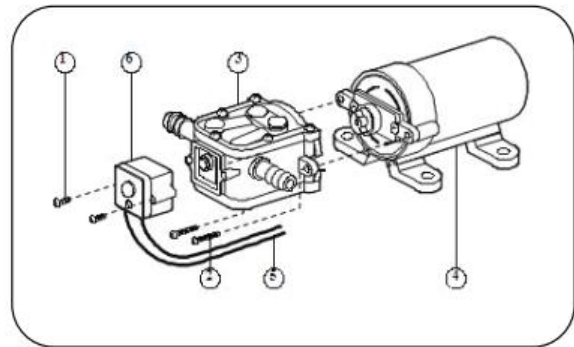
Dimension:18.5*11*6.5cm

Net weight:0.67kgs

Packing:50pcs/CTN

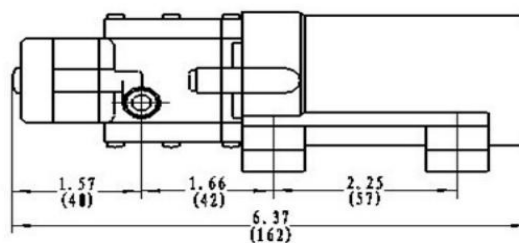
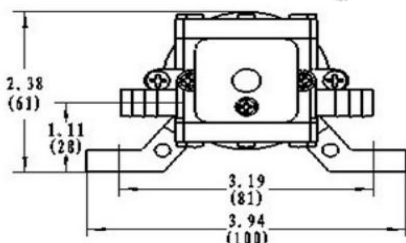
Ctn size:58*37*37cm

N.W.:34kgs, G.W.:36kgs



Key	DESCRIPTION	Key	DESCRIPTION
1	Switch cover screw	4	Motor
2	Pump head screws	5	Lead wire
3	Pump head	6	Pressure Switch

Technical Data					
Model	Volt	Flow LPM(GPM)	Pressure PSI(BAR)	Amp Draw(A)	BYPASS
FLO-2201	12	2(0.52)	55(3.79)	1.8	YES
FLO-2202	12	3.8(1.0)	35(2.41)	3	YES
FLO-2202	12	4.3(1.13)	35(2.41)	3.5	YES
FLO-2203	12	2.6(0.68)	70(4.83)	2.1	YES
FLO-2203-1	12	3.1(0.82)	70(4.83)	2.2	YES
FLO-2202A	12	4(1.05)	80(5.52)	2.6	YES
FLO-2401	24	2(0.53)	55(3.79)	0.9	YES
FLO-2402	24	3.8(1.0)	35(2.41)	1.5	YES
FLO-2403	24	2.6(0.68)	70(4.83)	1	YES
FLO-2402A	24	4(1.05)	80(5.52)	1.3	YES





DP High Pressure Water Pump

Specifications

Motor

Type: Permanent magnet, Thermally Protected

Leads: 16 AWG,

Duty cycle: Work intermittent

Pump

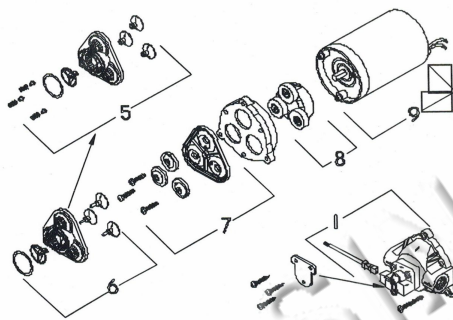
Type: 3-chamber positive displacement

Liquid Temperature: 140°F (60°C) Maximum

Priming Capabilities: 6 feet (1.8m) suction lift

Pump able to run dry without damage

CHECK VALVE: (1-Way Operation) Prevents Reverse Flow



KEY#	DESCRIPTION
1	Complete assembled pump head
2	Pressure switch assembly
3	Check valve components
4	Upper housing
5	Bypass valve and discharge valve assembly
6	Valve plate assembly
7	Diaphragm and piston components
8	Drive assembly
9	Motor assembly (less base plate)

Material of Construction

Motor Housing: Cast Iron

Pump Housing: Polypropylene

Valves: Viton or EPDM

Check valve spring Stainless steel

Diaphragm: Santoprene

Ports Size: 3/8" Female thread

Fittings: 3/8" hose barb x 2,

1/4" BSPT male thread x 2

Weight & Size

Dimension/PC: 26.5x12x10.5cm

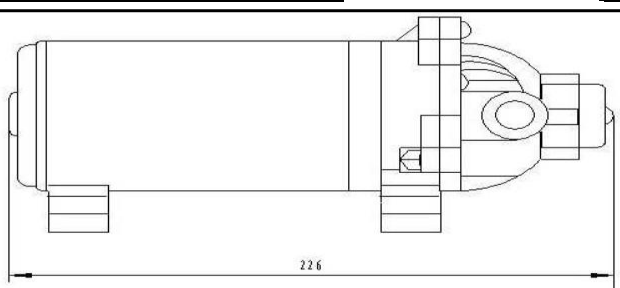
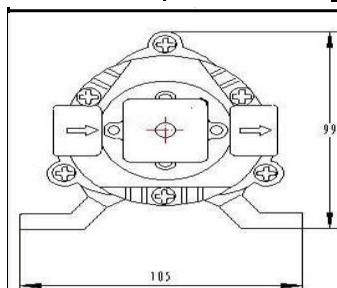
Net weight: 2.60kgs (DC) Net weight: 3.15kgs (AC)

Packing: 10 pcs/CTN

Ctn size: 64x29x22cm (DC) 63x39x22.5cm (AC)

N.W.: 26kgs, G.W.: 27kgs N.W.: 31kgs, G.W.: 33kgs

Model	Volt	Flow LPM(GPM)	Pressure PSI(BAR)	Amp Draw(A)	BYPASS
DP-60	12	4.6(1.21)	60(4.14)	7	YES
DP-60B	24	4.5(1.18)	60(4.14)	4	YES
DP-80	12	5.5(1.45)	80(5.52)	8	YES
DP-100	12	5.5(1.45)	100(6.90)	9	YES
DP-120	12	5.5(1.45)	120(8.28)	9.5	YES
DP-120B	24	5.5(1.45)	120(8.28)	4.5	YES
DP-160	12	5.5(1.45)	160(11.0)	10.5	YES
DP-160B	24	5.5(1.45)	160(11.0)	4.2	YES
DP-100M	230	5.5(1.45)	100(6.90)	0.6	YES
DP-160S	120	5.5(1.45)	160(11.0)	1	YES
DP-120M	220	5.5(1.45)	120(8.28)	0.5	YES
DP-160M	220	5.5(1.45)	160(11.0)	0.55	YES





FL High Flow Water Pump

Specifications

Motor

Type:12V/24V DC,115V,230V AC Permanent magnet

Leads:16 AWG,

Duty cycle: Work intermittent

Pump

Type:4-chamber positive displacement

Liquid Temperature:140°F(60°C)Maximum

Priming Capabilities:6feet(1.8m)suction lift

Pump able to run dry without damage

Material of Construction

Motor Housing: Cast Iron

Pump Housing: Polypropylene

Valves: Viton or EPDM

Check valve spring Stainless steel

Diaphragm: Santoprene

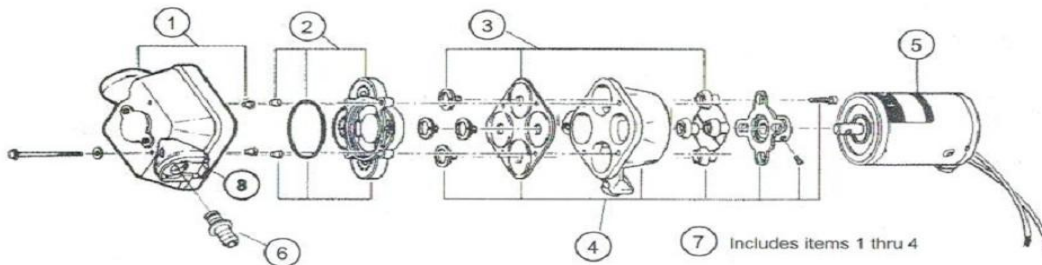
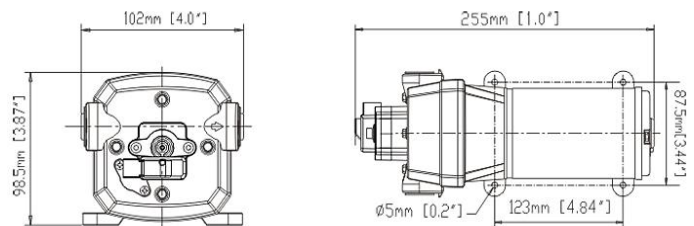
Ports Size: 1/2" Snap-in Port Fittings

Fittings: 3/4" male thread,1/2"BSPT hose barb

1/2"elbow hose barb,1/2" filter



Typical Application



TECHNICAL DATA OF DC VOLTAGE					
Model	Volt	Flow LPM(GPM)	Pressure PSI(bar)	Amp Draw(A)	BYPASS
FL-30	12	10(2.63)	17(1.17)	2.2	NO
FL-31	24	10(2.63)	17(1.17)	1.5	NO
FL-35	12	12.5(3.29)	35(2.41)	7	NO
FL-34	24	12.5(3.29)	35(2.41)	4	NO
FL-40	12	17(4.47)	40(2.76)	9.2	NO
FL-44	24	17(4.47)	40(2.76)	5.6	NO
TECHNICAL DATA OF AC VOLTAGE					
Model	Volt	Flow(L/Min)	Pressure PSI(Bar)	Amp Draw(A)	BYPASS
FL-33	115	12.5(3.29)	35(2.41)	0.5	NO
FL-32	220	12.5(3.29)	35(2.41)	0.4	NO
FL-41	115	17(4.47)	40(2.76)	0.5	NO
FL-43	220	17(4.47)	40(2.76)	0.8	NO



FLO High Pressure Water Pump

Specifications

Motor

Type:12V/24V DC, Permanent magnet,totally enclosed,non-ventilated

Leads:16 AWG

Duty cycle: Work intermittent

Pump

Type:2-chamber positive displacement

Liquid Temperature:140°F(60°C)Maximum

Priming Capabilities:3feet(0.9m)suction lift

Pump able to run dry without damage

CHECK VALVE: (1-Way Operation) Prevents Reverse Flow

Material of Contruction

Motor Housing: PA66

Pump Housing: Polypropylene

Valves: Viton or EPDM

Diaphragm: Santoprene

Ports Size: 3/8" Hose Barb with O-ring

Weight &Size

Dimension:

Net weight:1.21kgs

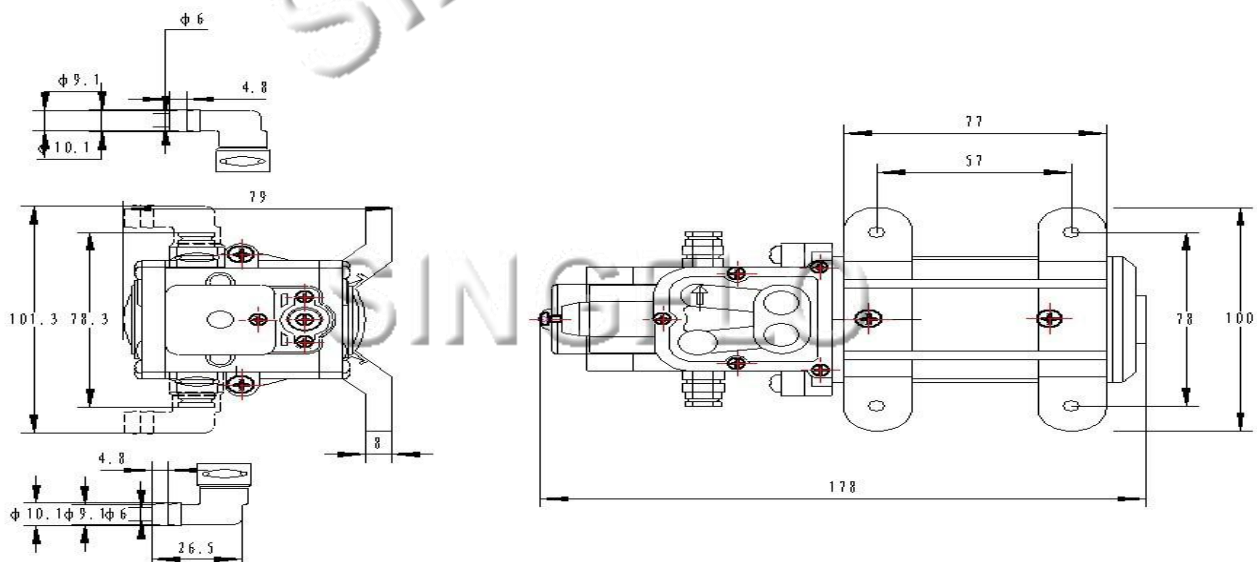
Packing:30pcs/CTN

Ctn size:55*40*28cm

N.W.:38kgs, G.W.:40kgs



Technical Data					
Model	Volt	Flow LPM(GPM)	Pressure PSI(BAR)	Amp Draw(A)	BYPASS
FL-3202	12	5.0(1.32)	80(5.51)	4.5	YES
FL-3402	24	5.0(1.32)	80(5.51)	2.8	YES
FL-3206	12	5.0(1.32)	60(4.14)	4	YES
FL-3406	24	5.0(1.32)	60(4.14)	2.5	YES
FL-3203	12	5.0(1.32)	100(6.90)	5	YES
FL-3403	24	5.0(1.32)	100(6.90)	3	YES





FL-200 High Pressure Water Pump

Specifications

Motor

Type:12V/24V DC, Permanent magnet,totally enclosed,non-ventilated

Leads:14 AWG

Duty cycle: Work intermittent

Pump

Type: 5-chamber positive displacement

Liquid Temperature:140°F(60°C)Maximum

Priming Capabilities:6feet(1.8m)suction lift

Pump able to run dry without damage

CHECK VALVE: (1-Way Operation) Prevents Reverse Flow

Material of Construction

Motor Housing: PA66

Pump Housing: Polypropylene

Valves: Viton or EPDM

Diaphragm: Santoprene

Ports Size: 1/2" Hose Barb



Technical Data					
Model	Volt	Flow LPM(GPM)	Pressure PSI(BAR)	Amp Draw(A)	BYPASS
FL-200	12	10.0(2.63)	200(13.79)	15	NO
FL-200B	24	10.0(2.63)	200(13.79)	8	NO
FL-55	12	20.0(5.26)	55(3.79)	16	NO
FL-55B	24	20.0(5.26)	55(3.79)	9	NO